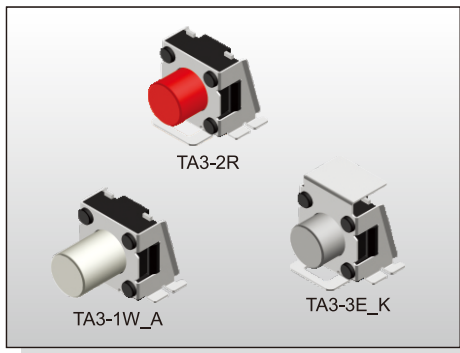


TACT SWITCH
TA3 SERIES

6x6 Right Angle Type
With Supporting Terminal & Tab Available



FEATURES

- ※Extended bracket available
- ※Easy to pick & place with top tab

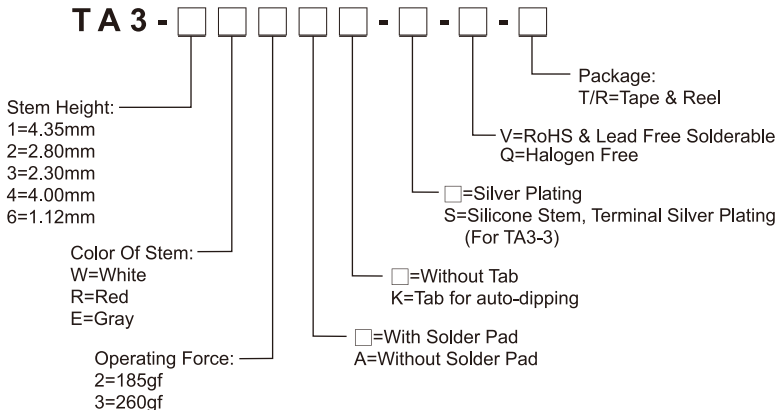
APPLICATION

- ※Data storage, Server
- ※Instrumentation
- ※Audio, OA equipment

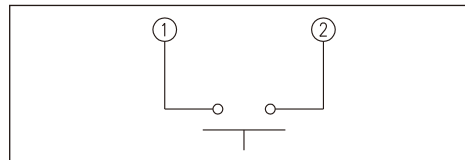
SPECIFICATION

Contact Rating	50mA, 12V DC
Contact Resistance	100mΩ max.
Insulation Resistance	10MΩ min. 500V DC
Dielectric Strength	250V AC/1 minute
Operating Force	185±50gf, 260±50gf
Travel	0.15mm
Operating Life	200, 000 cycles
Operating Temp.	-25°C ~ +70°C
Storage Temp.	-30°C ~ +80°C

HOW TO ORDER



CIRCUIT

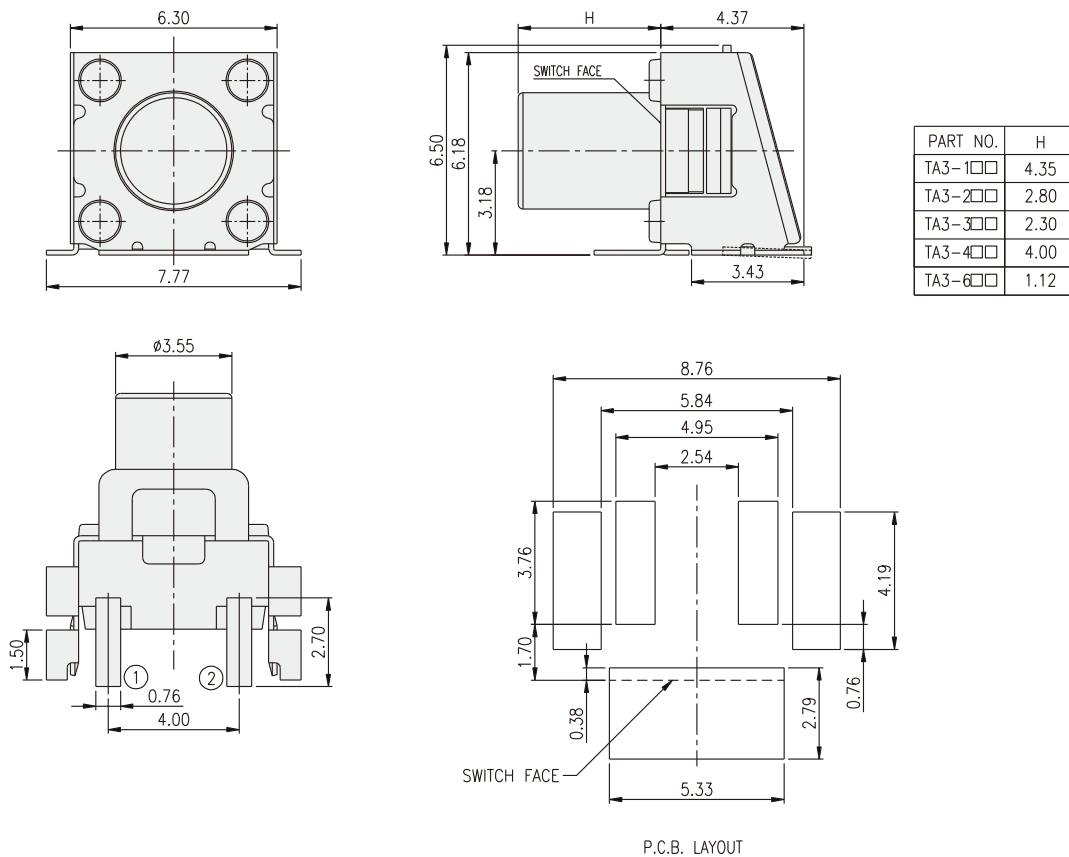


PACKAGE

<Tape & Reel>
TA3: 600 pcs
TA3-[]-[]-[]K: 550 pcs

TACT SWITCH

TA3-[]-[]



TACT SWITCH
TA3 SERIES

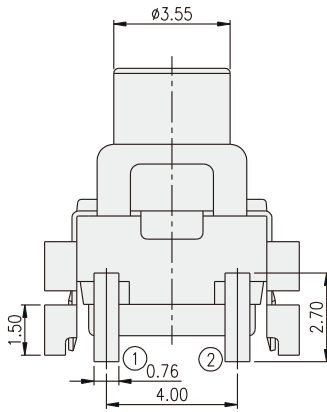
6x6 Right Angle Type
 With Supporting Terminal & Tab Available



TA3-□□K

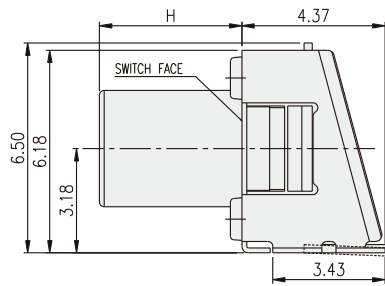
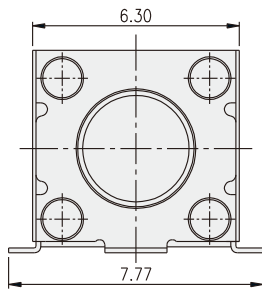


PART NO.	H
TA3-1□□K	4.35
TA3-2□□K	2.80
TA3-3□□K	2.30
TA3-4□□K	4.00
TA3-6□□K	1.12

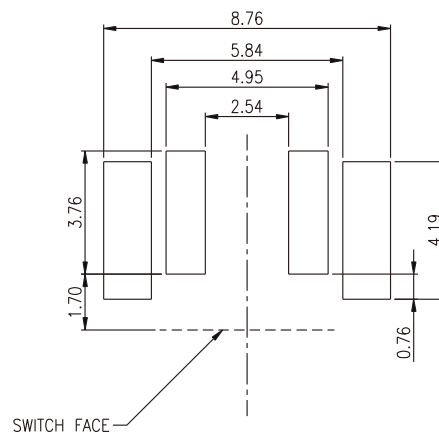
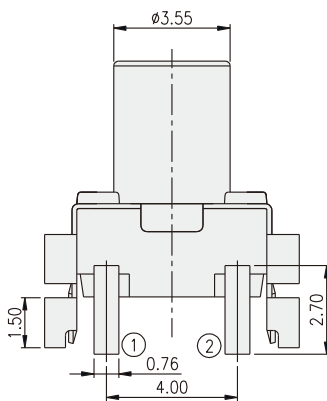


P.C.B. LAYOUT

TA3-□□A



PART NO.	H
TA3-1□□A	4.35
TA3-2□□A	2.80
TA3-3□□A	2.30
TA3-4□□A	4.00
TA3-6□□A	1.12



P.C.B. LAYOUT

TACT SWITCH