

FEATURES

- ※Center common terminal pin
- ※Through hole or SMT
- ※Flush & raised actuator

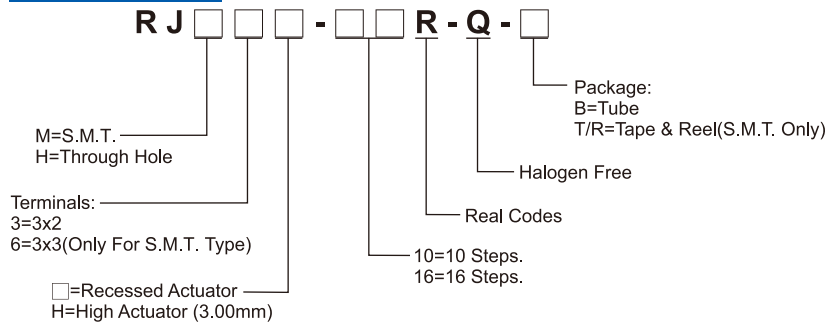
APPLICATION

- ※Industrial equipment
- ※Power supply
- ※Safety relay

SPECIFICATION

| | |
|-----------------------|--------------------|
| Contact Rating | 25mA, 24V DC |
| Contact Resistance | 100mΩ max. |
| Insulation Resistance | 100MΩ min. 100V DC |
| Dielectric Strength | 250V AC/1 minute |
| Operating Force | 200gf·cm max. |
| Operating Life | 20, 000 Steps |
| Operating Temp. | -40°C ~ +85°C |
| Storage Temp. | -40°C ~ +85°C |

HOW TO ORDER

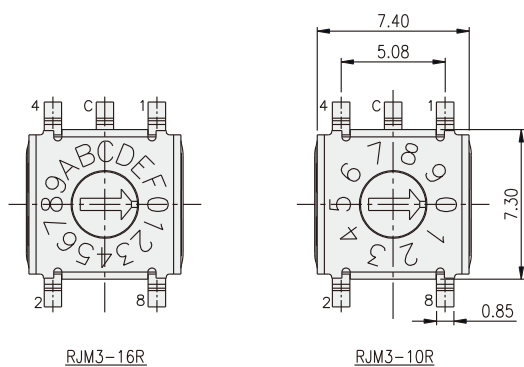


PACKAGE

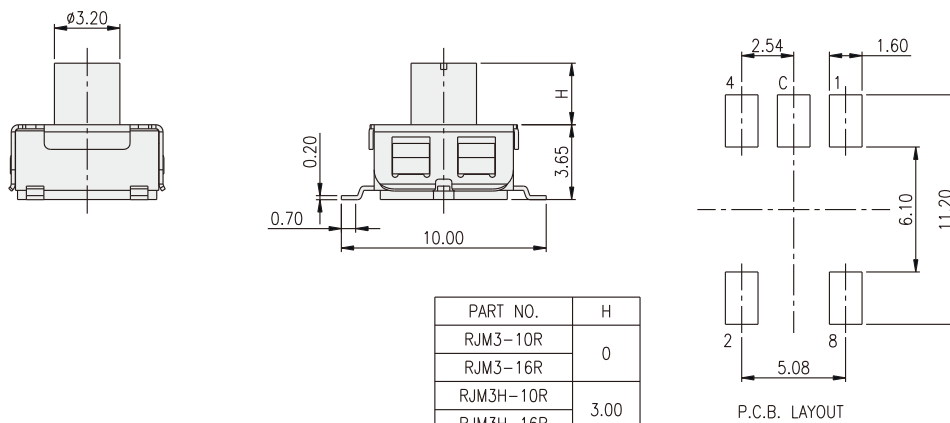
<Tube>
62 pcs
<Tape & Reel>
RJM3H: 650 pcs
RJM6H: 300 pcs

ROTARY CODED SWITCH

RJM3

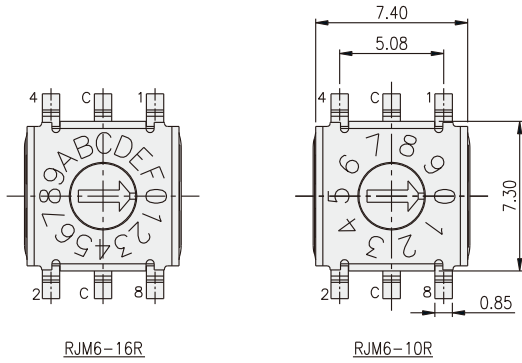


| TYPE | POSITION | CODE | | | |
|------|----------|------|---|---|---|
| | | 1 | 2 | 4 | 8 |
| 10R | 0 | ● | ● | ● | ● |
| | 1 | ○ | ● | ● | ● |
| | 2 | ● | ○ | ● | ● |
| | 3 | ○ | ○ | ● | ● |
| | 4 | ● | ● | ○ | ● |
| | 5 | ○ | ● | ○ | ● |
| | 6 | ● | ○ | ○ | ● |
| | 7 | ○ | ○ | ○ | ● |
| | 8 | ○ | ● | ● | ○ |
| | 9 | ○ | ● | ● | ○ |
| 16R | A | ● | ○ | ● | ○ |
| | B | ○ | ○ | ● | ○ |
| | C | ○ | ● | ○ | ○ |
| | D | ○ | ○ | ○ | ○ |
| | E | ● | ○ | ○ | ○ |
| | F | ○ | ○ | ○ | ○ |



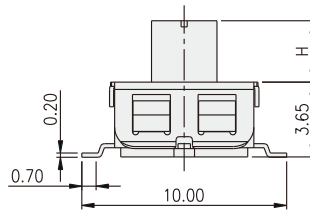
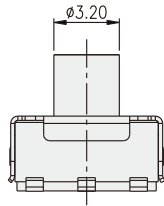
| PART NO. | H |
|-----------|------|
| RJM3-10R | 0 |
| RJM3-16R | 0 |
| RJM3H-10R | 3.00 |
| RJM3H-16R | 3.00 |

RJM6

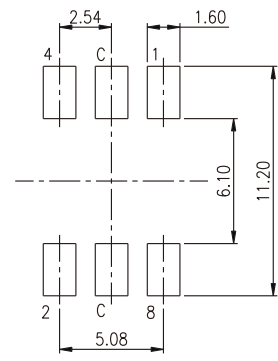


RJM6-16R

RJM6-10R



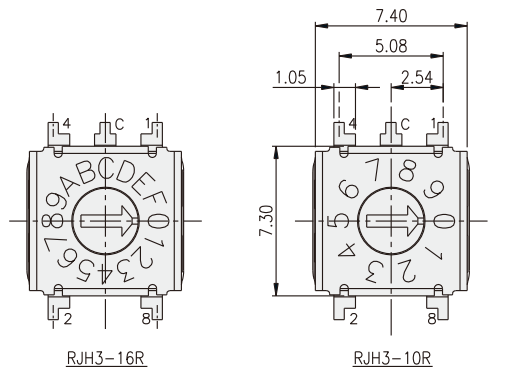
| PART NO. | H |
|-----------|------|
| RJM6-10R | 0 |
| RJM6-16R | 0 |
| RJM6H-10R | 3.00 |
| RJM6H-16R | 3.00 |



P.C.B. LAYOUT

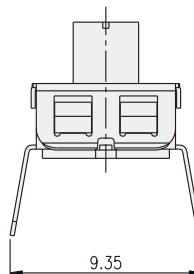
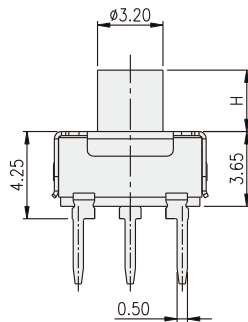
| TYPE | POSITION | CODE | | | |
|------|----------|------|---|---|---|
| | | 1 | 2 | 4 | 8 |
| 10R | 0 | ● | ● | ● | ● |
| | 1 | ○ | ● | ● | ● |
| | 2 | ● | ○ | ● | ● |
| | 3 | ○ | ○ | ● | ● |
| | 4 | ● | ● | ○ | ● |
| | 5 | ○ | ● | ○ | ● |
| | 6 | ● | ○ | ○ | ● |
| | 7 | ○ | ○ | ○ | ● |
| | 8 | ● | ○ | ● | ○ |
| | 9 | ○ | ● | ● | ○ |
| 16R | A | ● | ○ | ○ | ○ |
| | B | ○ | ○ | ● | ○ |
| | C | ● | ● | ○ | ○ |
| | D | ○ | ● | ○ | ○ |
| | E | ● | ○ | ○ | ○ |
| | F | ○ | ○ | ○ | ○ |

RJH3



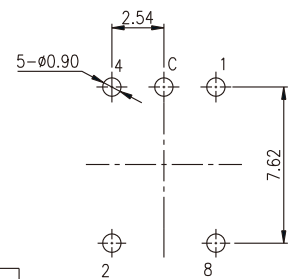
RJH3-16R

RJH3-10R



| PART NO. | H |
|-----------|------|
| RJH3-10R | 0 |
| RJH3-16R | 0 |
| RJH3H-10R | 3.00 |
| RJH3H-16R | 3.00 |

| TYPE | POSITION | CODE | | | |
|------|----------|------|---|---|---|
| | | 1 | 2 | 4 | 8 |
| 10R | 0 | ● | ● | ● | ● |
| | 1 | ○ | ● | ● | ● |
| | 2 | ● | ○ | ● | ● |
| | 3 | ○ | ○ | ● | ● |
| | 4 | ● | ● | ○ | ● |
| | 5 | ○ | ● | ○ | ● |
| | 6 | ● | ○ | ○ | ● |
| | 7 | ○ | ○ | ○ | ● |
| | 8 | ● | ○ | ● | ○ |
| | 9 | ○ | ● | ● | ○ |
| 16R | A | ● | ○ | ○ | ○ |
| | B | ○ | ○ | ● | ○ |
| | C | ● | ● | ○ | ○ |
| | D | ○ | ● | ○ | ○ |
| | E | ● | ○ | ○ | ○ |
| | F | ○ | ○ | ○ | ○ |



P.C.B. LAYOUT