

FEATURES

- ※ Compact size
- ※ SMT & Through hole type available
- ※ Different stem height for option

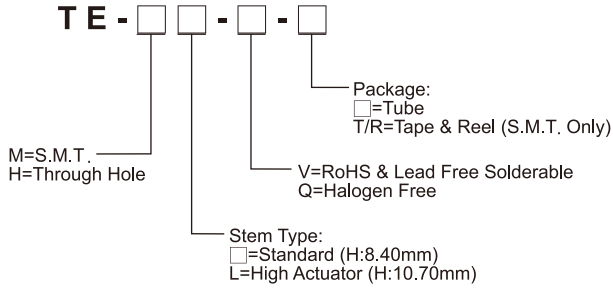
APPLICATION

- ※ DVD Players, CD-ROMs
- ※ Automotive
- ※ Telecommunication

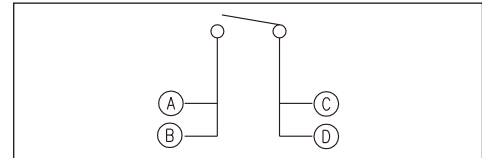
SPECIFICATION

Contact Rating	5mA, 5V DC
Contact Resistance	500mΩ max.
Insulation Resistance	100MΩ min. 250V DC
Dielectric Strength	250V AC/1 minute
Operating Force	35gf max.
Travel	2mm
Operating Life	50,000 cycles
Operating Temp.	-20°C ~ +70°C
Storage Temp.	-30°C ~ +80°C

HOW TO ORDER



CIRCUIT

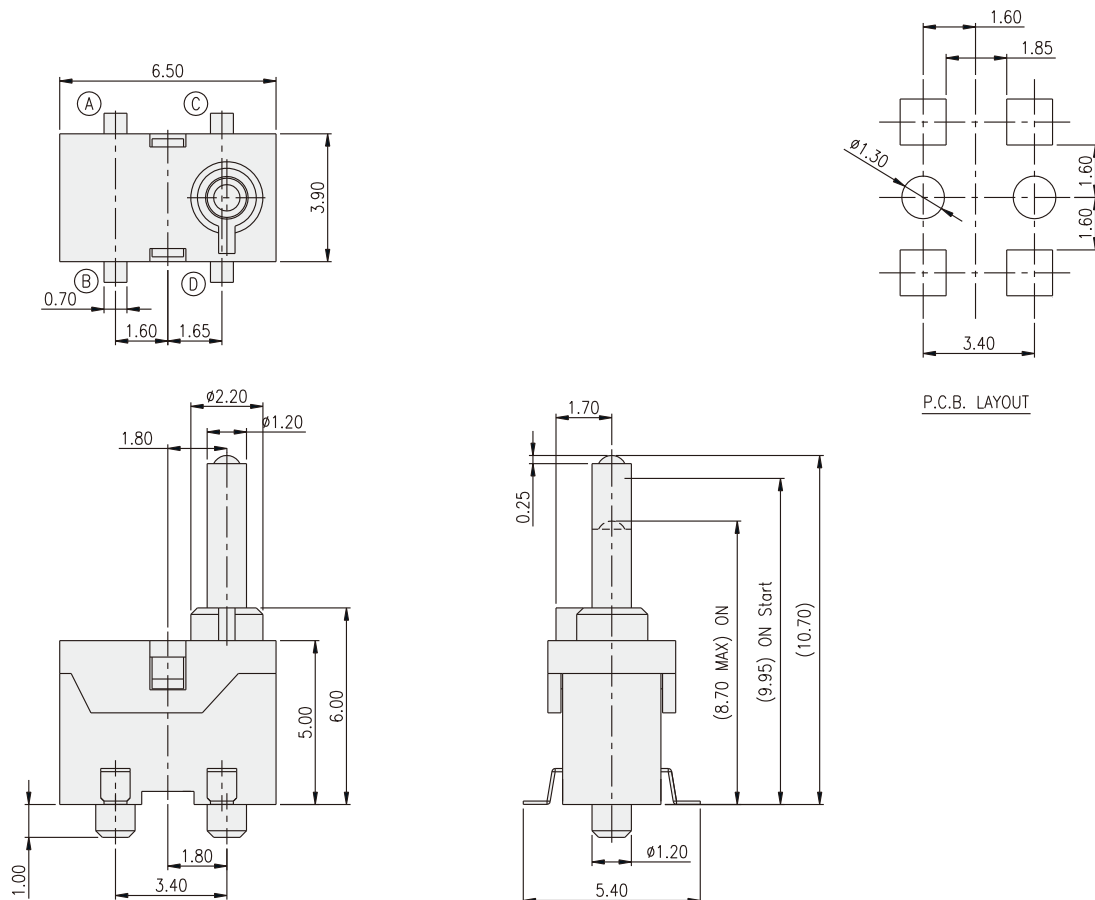


PACKAGE

<Tube>
72 pcs

<Tape & Reel>
TE-M: 500 pcs
TE-ML: 400 pcs

TE-ML



TE-H

