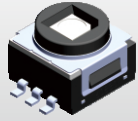


# ILLUMINATED SWITCH ML9 SERIES

**Tact Switch  
Illuminated**



**NEW**



ML9

### FEATURES

- ※ Various LED options
- ※ 300,000 operating life cycles

### APPLICATION

- ※ Automotive
- ※ Network equipment
- ※ Telecommunications
- ※ Medical equipment
- ※ Industrial controls

### SPECIFICATION

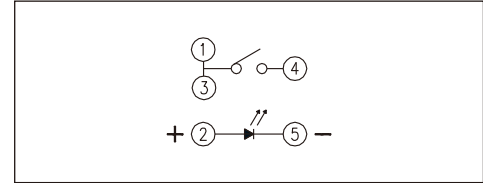
Contact Rating	50mA, 32V DC
Contact Resistance	100mΩ max.
Insulation Resistance	100MΩ min. 100V DC
Dielectric Strength	250V AC/1 minute
Operating Force	400±100gf
Travel	0.45mm
Operating Life	300,000 cycles
Operating Temp.	-40°C ~ +85°C
Storage Temp.	-55°C ~ +85°C

### HOW TO ORDER

**ML9 - M**    **QR**

- S.M.T.
- Without Post
- With Post
- Operating Force: 4=400gf
- Package: Tape & Reel
- Halogen Free
- LED Color:
  - Without LED
  - B=Blue
  - G=Green
  - R=Red
  - W=White
  - Y=Yellow
  - A=Amber

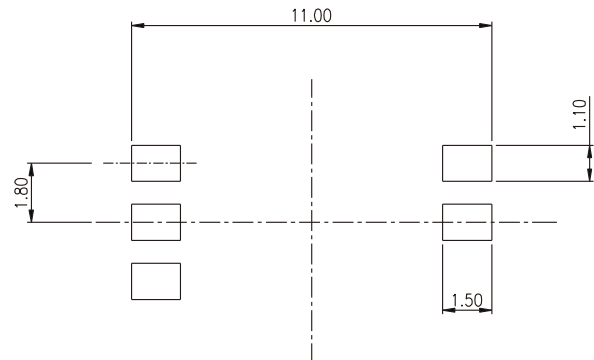
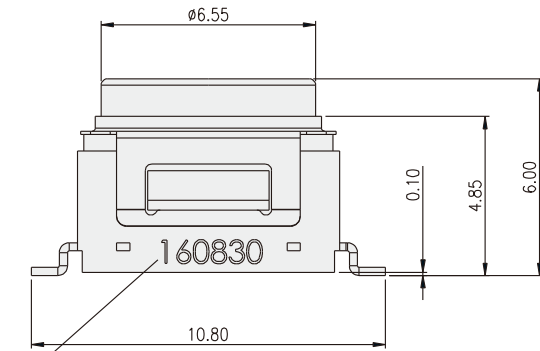
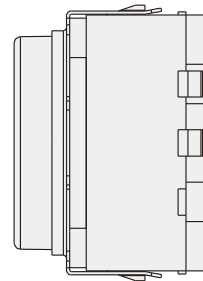
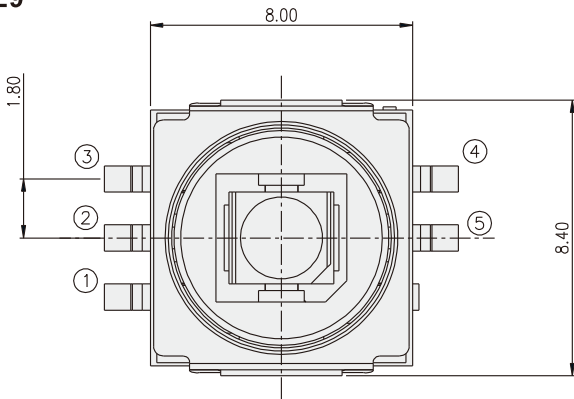
### CIRCUIT



### PACKAGE

<Tape & Reel>  
650 pcs.

### ML9



P.C.B. LAYOUT

Date code: YYMMDD

ILLUMINATED SWITCH