

FEATURES

- ※Miniature 3.3x4.5mm side push type
- ※High solder strength
- ※Sharp click feeling

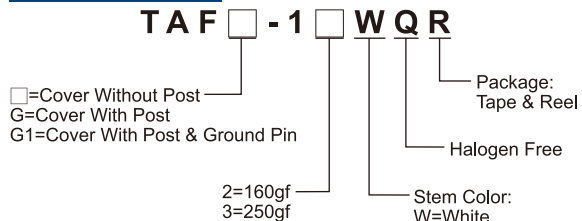
APPLICATION

- ※Smart phone
- ※Tablet
- ※Portable personal audio

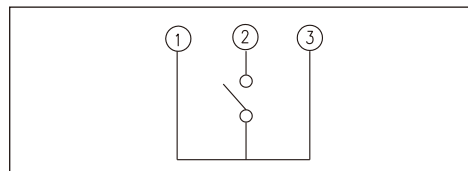
SPECIFICATION

Contact Rating	50mA, 12V DC
Contact Resistance	500mΩ max.
Insulation Resistance	100MΩ min. 100V DC
Dielectric Strength	250V AC/1 minute
Operating Force	160±50gf/250±50gf
Travel	0.2mm
Operating Life	100,000 cycles
Operating Temp.	-40°C ~ +85°C
Storage Temp.	-40°C ~ +85°C

HOW TO ORDER



CIRCUIT

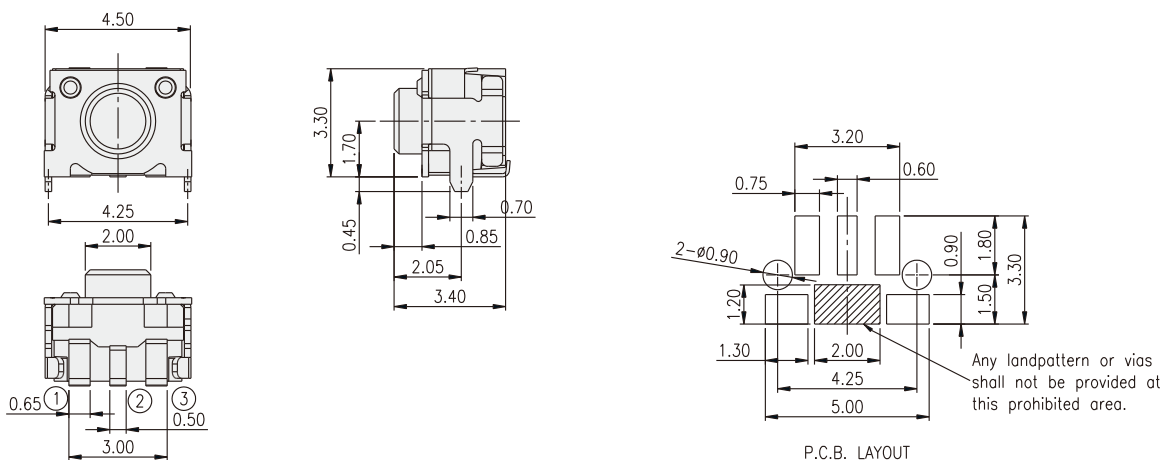


PACKAGE

<Tape & Reel>
1800 pcs

TACT SWITCH

TAFG



TAFG1

